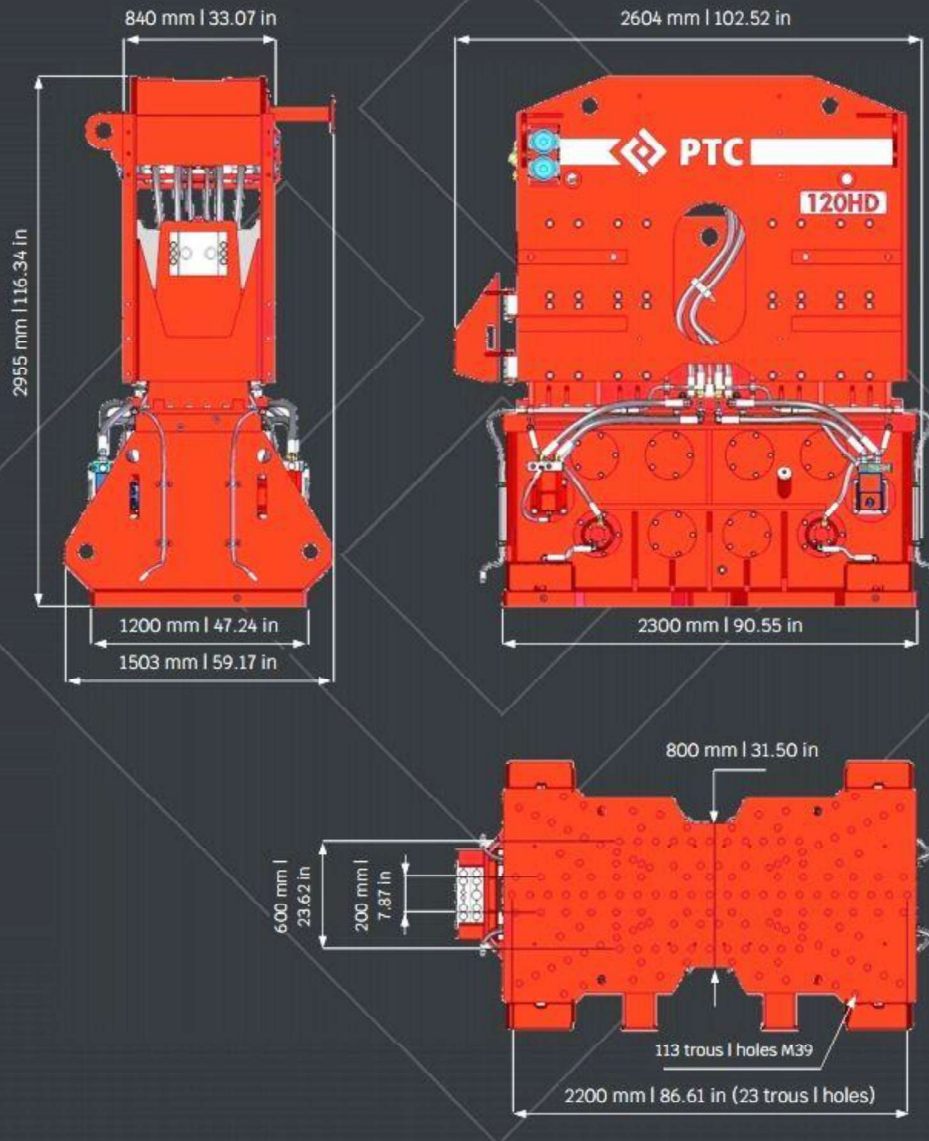


Technical specifications & schematic drawing: PTC 120HD Vibrator:

Vibrofonneur - Vibrodriver 120HD

PTC035184 | sans option - without option

PTC035185 | circuit L - L circuit



Note :

Ce document contient des informations techniques pouvant faire l'objet de modifications sans préavis.

This document contains technical specifications subject to change without prior notice.

PTC – FAYAT GROUP

56 rue de Neuilly, 93130 Noisy-le-Sec, France | Tel: +33 (0) 149 427 295

contact@ptc.fayat.com | www.ptc.fayat.com

Page 1/2

FT-VF_120HD_PTC035184-035185_2022-03-17_FR_EN.docx

Vibrofonceur - Vibrodriver 120HD

PTC035184 | sans option - without option

PTC035185 | circuit L - L circuit

INFORMATIONS TECHNIQUES | TECHNICAL SPECIFICATIONS

Force centrifuge maximum	Maximum centrifugal force	2506	kN	282	ton
Vitesse de rotation excentrique	Eccentric rotation speed	1380	tr/min	1380	rpm
Moment excentrique	Eccentric moment	120	Kg.m	10416	In.lb
Puissance hydraulique maximum	Maximum hydraulic power	468	kW	628	hp
Debit hydraulique nominal	Nominal hydraulic delivery flow	802	l/min	212	gpm
Pression hyd. max. admissible	Max. admissible hyd. pressure	350	bar	5076	psi
Force de traction maximum	Max. admissible pull-up force	1200	kN	135	ton
Masse totale sans casque	Weight without clamping head	13300	kg	29321	lb
Masse vibrante sans casque	Vibrating weight without clamp.head	8200	kg	18078	
Amplitude maximum sans casque	Max. amplitude without clamp. head	29,3	mm	1,15	in

CENTRALE HYDRAULIQUE ASSOCIEE | RELATED POWER UNIT

Modele de groupe hydraulique	Hydraulic power pack model	900	900
------------------------------	----------------------------	-----	-----

CASQUES | CLAMPING HEADS

Agriplex 350T	350T Agriplex Clamp	2835	kg	6250	Lb
2 x Pincés 150T	2 x 150T Clamps	2600	kg	5732	Lb
Kit de 2 Tés	Kit of 2 T-bars	800	kg	1764	lb
Semelle QUADRIPLEX CARREE	Shoeplate SQUARE QUADRIPLEX	3107	kg	6850	lb
Semelle POUTRE EN CROIX	Shoeplate CROSS BEAM	7425	kg	16369	lb
4 x Pincés 85T	4 x 85T Clamps	2024	kg	4462	Lb
Kit de 4 Tés	Kit of 4 T-bars	500	kg	1102	lb

OPTIONS-KITS ENTRETIEN | OPTIONS-MAINTENANCE

PTC902925 Kit entretien	PTC902925 Maintenance kit	500	h	500	hr
Kit SOUS-MARIN	Kit UNDERWATER	-15	m	-49	ft
Kit de 4 MASSES additionnelles	Kit of 4 additional WEIGHTS	2000	kg	4409	lb

Note :

Ce document contient des informations techniques pouvant faire l'objet de modifications sans préavis.

This document contains technical specifications subject to change without prior notice.

PTC - FAYAT GROUP

 56 rue de Neuilly, 93130 Noisy-le-Sec, France | Tel: +33 (0) 149 427 295
 contact@ptc.fayat.com | www.ptc.fayat.com

Technical specifications & schematic drawing: PTC 900VO Power-pack:

Groupe – Power Pack 900VO S2-T2



PTC035150 | sans option - without option

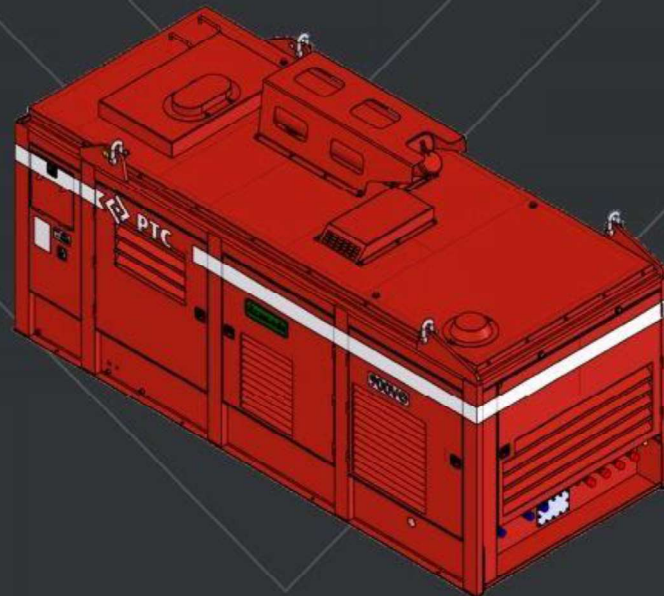
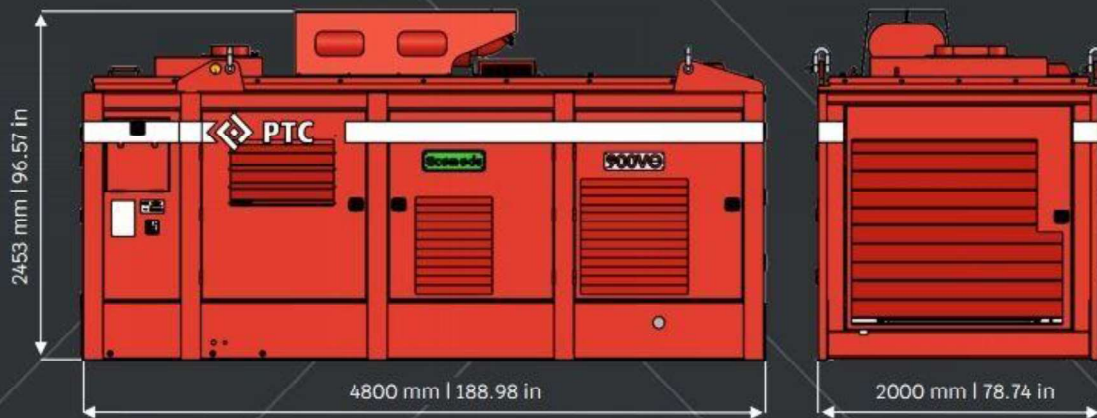
PTC035151 | circuit L - L circuit

PTC035152 | circuit MARTEAU BSP - BSP HAMMER circuit

PTC035153 | circuit MARTEAU BSP & L - BSP HAMMER & L circuit

PTC035154 | circuit MARTEAU BSP & JUNTAN - BSP & JUNTAN HAMMER circuit

PTC035155 | circuit MARTEAU BSP & JUNTAN & L - BSP & JUNTAN HAMMER & L circuit



Note :

Ce document contient des informations techniques pouvant faire l'objet de modifications sans préavis.

This document contains technical specifications subject to change without prior notice.

PTC – FAYAT GROUP

56 rue de Neuilly, 93130 Noisy-le-Sec, France | Tel: +33 (0) 149 427 295

contact@ptc.fayat.com | www.ptc.fayat.com

Page 1/2

FT-PTC035150-035151-035152-035153-035154-035155_GR_900VO_S2-T2_2022-03-15_FR_EN.docx

Groupe – Power Pack 900VO S2-T2

PTC035150 | sans option - without option

PTC035151 | circuit L - L circuit

PTC035152 | circuit MARTEAU BSP - BSP HAMMER circuit

PTC035153 | circuit MARTEAU BSP & L - BSP HAMMER & L circuit

PTC035154 | circuit MARTEAU BSP & JUNTAN - BSP & JUNTAN HAMMER circuit

PTC035155 | circuit MARTEAU BSP & JUNTAN & L - BSP & JUNTAN HAMMER & L circuit

INFORMATIONS TECHNIQUES | TECHNICAL SPECIFICATIONS

Debit hydraulique nominal	Nominal hydraulic oil flow	900	l/min	238	gpm
Puissance du moteur diesel	Diesel engine power	565	kw	758	hp
Marque du moteur diesel	Diesel engine manufacturer	VOLVO PENTA			
Modele de moteur diesel	Diesel engine model	TAD 1643 VE			
Norme des Emissions polluantes	Exhaust emissions standards	EU Stage II	US EPA Tier 2		
Vitesse de rotation max. du moteur	Max. engine rotation speed	1900	tr/min	1900	rpm
Consommation de gazole maximum	Maximum fuel consumption	134	l/h	35	gph
Pression de travail hyd. maximum	Maximum hyd. working pressure	350	bar	5076	psi
Capacite du reservoir d'huile hyd.	Hydraulic oil tank capacity	1530	l	404	gal
Capacite du reservoir de gazole	Diesel fuel tank capacity	1330	l	351	gal
Masse avec tous les fluides	Weight with all the fluids	9950	kg	21936	lb

OPTIONS-KITS ENTRETIEN | OPTIONS-MAINTENANCE

PTC901722 Kit entretien	PTC901722 Maintenance kit	500	h	500	hr
Radiocommande sans fil	Wireless radio control				
PTC902372 Kit Grand Froid	PTC902372 Winter Kit				

Note :

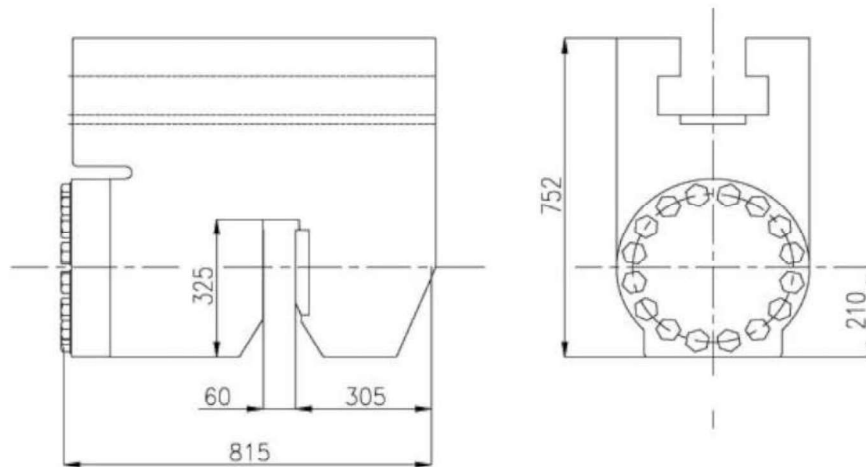
Ce document contient des informations techniques pouvant faire l'objet de modifications sans préavis.

This document contains technical specifications subject to change without prior notice.

PTC – FAYAT GROUP

56 rue de Neuilly, 93130 Noisy-le-Sec, France | Tel: +33 (0) 149 427 295
contact@ptc.fayat.com | www.ptc.fayat.com

Technical specifications & schematic drawing: PTC 2 x 150ton Duplex clamp:



Technical specifications

Weight	1300	kg
Force	1500	kN
Working pressure	320	bar

PTC

56 rue de Neuilly
 93136 Noisy-le-Sec Cedex France

Tél : +33 (0)1 49 42 72 95
 Fax : +33 (0)1 48 44 00 02

Email : contact@ptc.fayat.com
 Site web : www.ptc.fayat.com

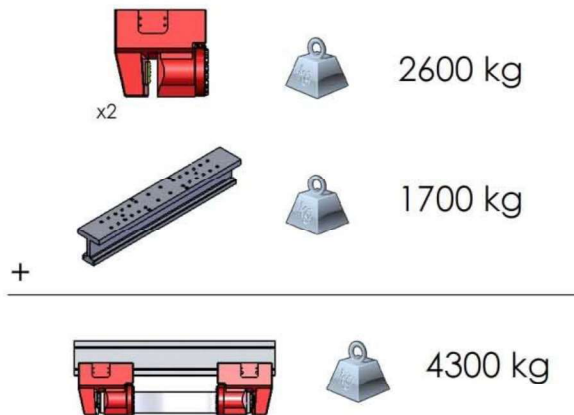
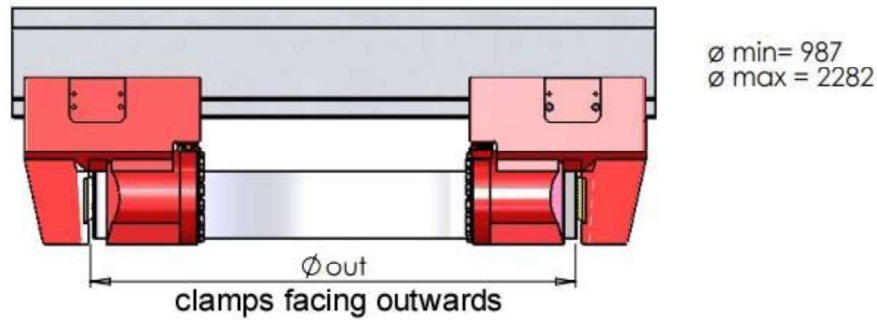
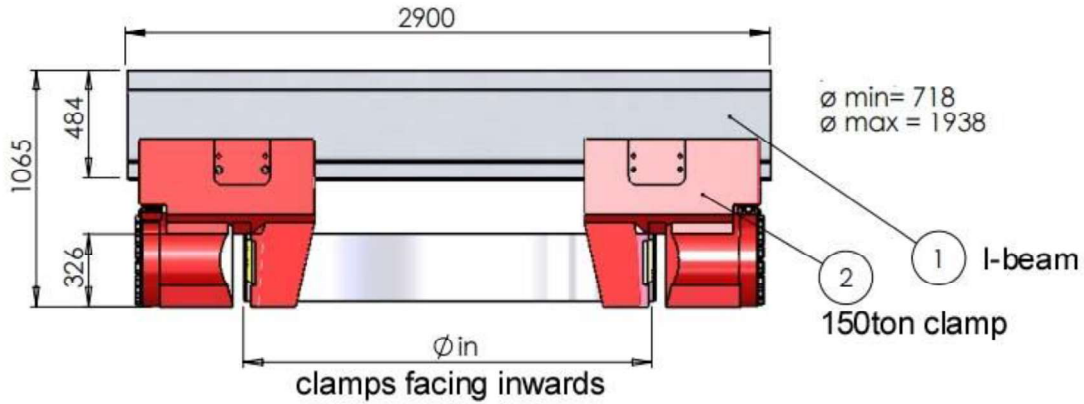


Certified Quality
 Management System
 n°353865

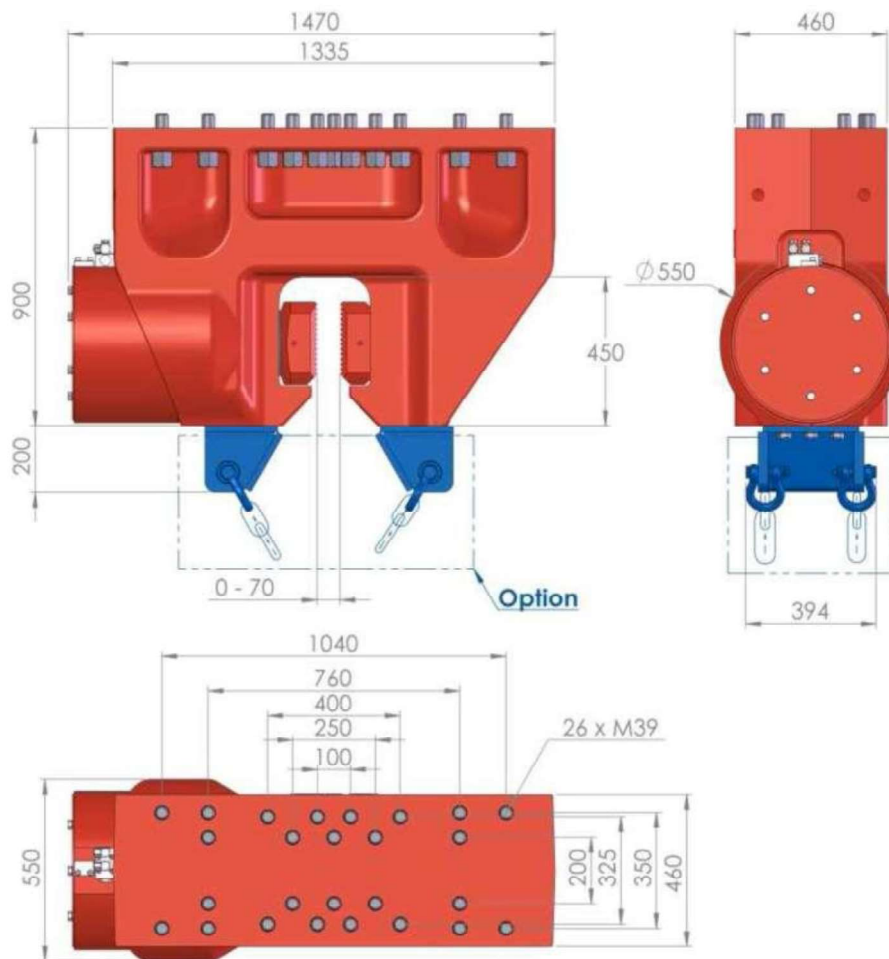
PTC reserves the right to modify the specifications without notice.

FT-Pince 150 I-033137-2015-09-08-en

Maximum & Minimum Clamping Diameters With 2.9m length I-beam and 2 x 150ton Duplex clamps



Technical specifications & schematic drawing: PTC 350ton Agriplex single clamp:



Technical specifications

Weight	2835	kg
Force	3500	kN
Working pressure	320	bar

Option : Kit for Sheetpiles

100 kg



Ecomode

Go for GREEN... work with Ecomode

The Ecomode is an electronic module included in PTC Power packs. This module automatically adapts the speed of the diesel engine to only supply the power that is needed according to the soil conditions.

The Ecomode allows the engine to permanently run at optimal speed without modifying the flow and the frequency of the Vibrodriver. Hence obtaining the same Vibrodriver performance using less fuel.

- ✓ Variable speed
- ✓ Variable displacement

- ✓ Up to 20% reduction in fuel consumption
- ✓ Up to 20% reduction in polluting gas
- ✓ Significant sound level reduction



Without Ecomode

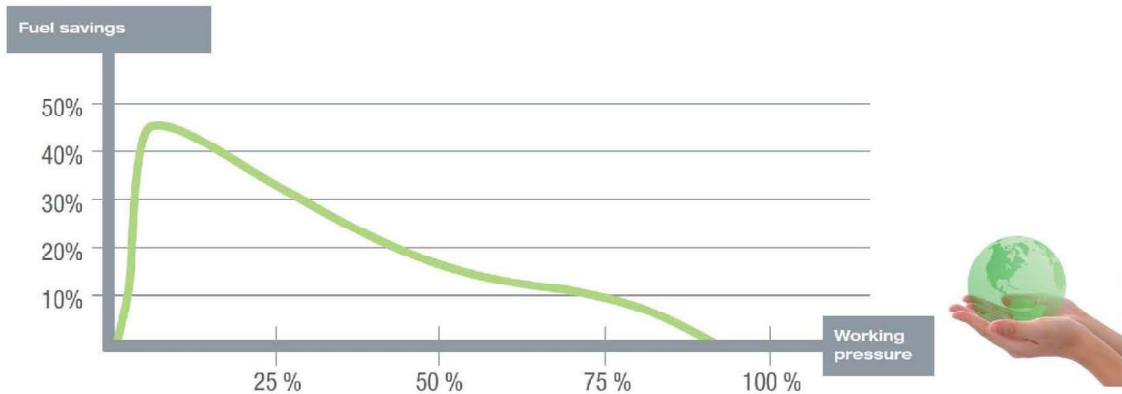
- Maximum engine r.p.m
- Fixed setting of the displacement

- High fuel consumption



- CONSTANT HYDRAULIC FLOW
- SAME VIBRODRIVER PERFORMANCE

Fuel savings with Ecomode



7" colour display screen on the current PTC new power-packs with multi-language display including Chinese:



Select your tool

Diesel engine

Hydraulic

Screenshot

Settings

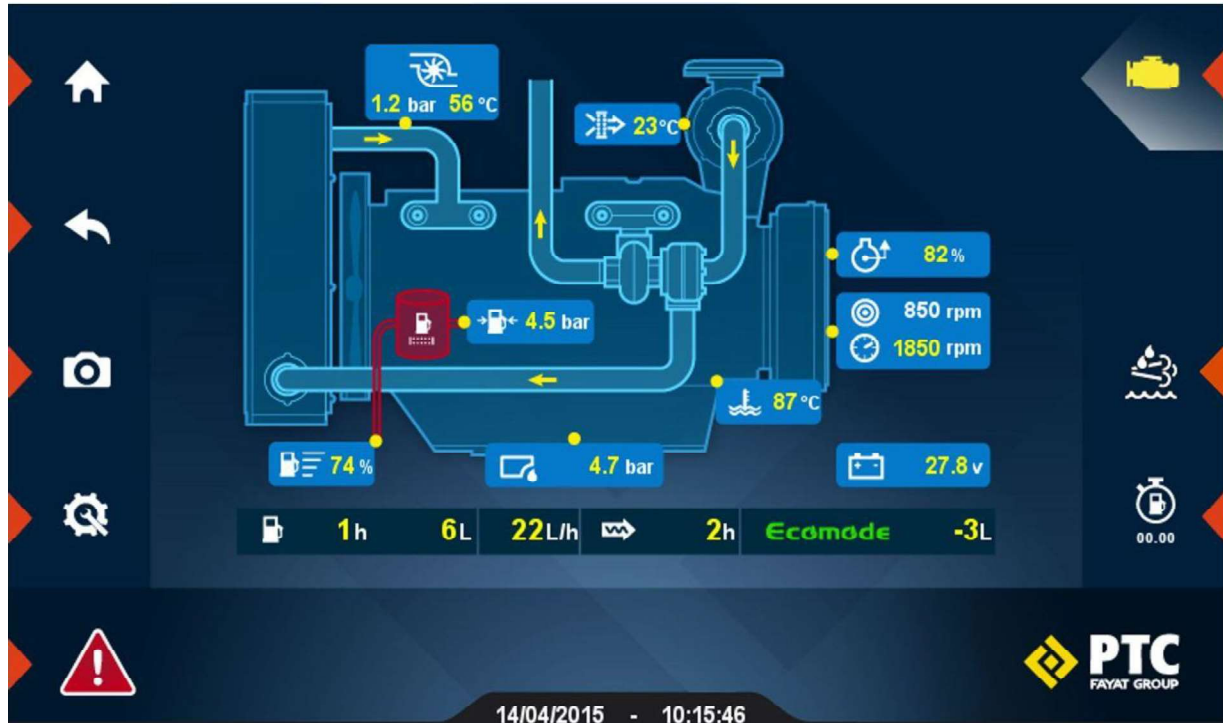
Defaults in your language

F17 - Low CLAMP PRESSURE

PTC FAYAT GROUP

14/04/2015 - 11:30:28

The screenshot shows a dashboard with several circular gauges. The top row includes a tachometer showing 1850 rpm, a pressure gauge showing 256 bar, and a flow rate gauge showing 611 L/min. The bottom row includes a temperature gauge showing 87°C, a battery level gauge showing 78% and 77%, a temperature gauge showing 53°C, a pressure gauge showing 92%, and a pressure gauge showing 132 bar. A status bar at the bottom displays a warning icon, the text 'F17 - Low CLAMP PRESSURE', the PTC logo, and the date/time '14/04/2015 - 11:30:28'. Arrows point from text labels to specific UI elements: 'Select your tool' points to a gear icon, 'Diesel engine' points to a diesel engine icon, 'Hydraulic' points to a hydraulic cylinder icon, 'Screenshot' points to a camera icon, 'Settings' points to a gear icon, and 'Defaults in your language' points to the status bar.



动力站默认记录

日期	时数	故障	状态
1	29/03/2017 04:46:51	INF72 - 油流量数据超出范围	OFF
2	29/03/2017 04:42:54	INF73 - 发动机1在强制风冷进行中	OFF
3	29/03/2017 04:42:54	F26 - 发动机1冷却剂温度高	OFF
4	29/03/2017 04:42:54	F07 - 液压油箱油温度传感器有故障	OFF
5	29/03/2017 04:42:54	F06 - 液压油温度传感器有故障	OFF

发动机默认值

	SPN	FMI	OC
1	0	0	0
2	0	0	0
3	0	0	0
4	0	0	0
5	0	0	0

Sample photo of 120HD vibrator working with 2 x 150ton Duplex clamps:





PTC PILING EQUIPMENT (FAR EAST) PTE LTD
No. 3 Tuas Avenue 16, Singapore 638926
Tel : 65-68616338, 65-68617977 Fax : 65-68614514
Email : ptcf@ptcfareast.com Co.Reg.No. 198904622K

Sample photos of 120HD vibrator set:

